

# Mini Wall Mount

## Quick setup guide

WMN550M / RU  
 VESA 200x200, 400x400, 600x400  
 LED, LCD, PDP TV 32" ~ 65"

### imagine the possibilities

Thank you for purchasing this Samsung product.  
 To receive more complete service, please register your product at  
[www.samsung.com/register](http://www.samsung.com/register)

Model \_\_\_\_\_ Serial No. \_\_\_\_\_

**SAMSUNG**

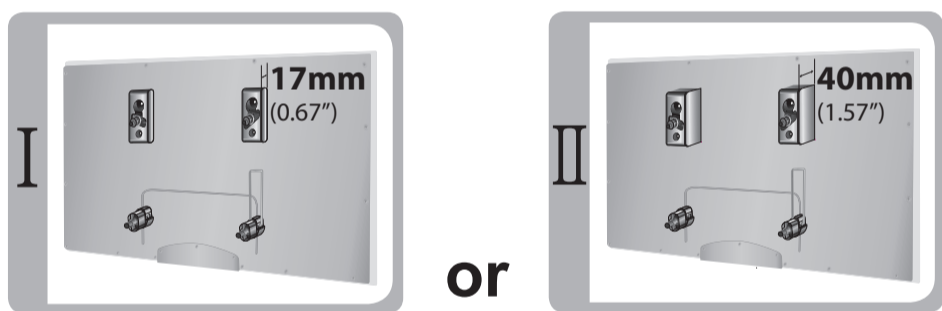
Safe Working Load **50kg (110lb)** | Minimum Breaking Load **200kg (440lb)**

### Assembly to TV

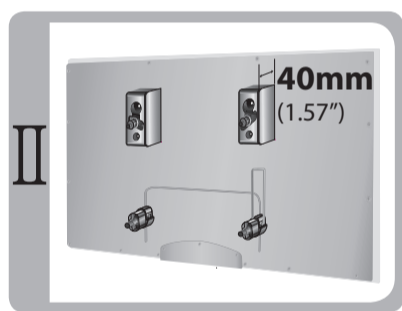
<b>S-1</b>  x4 (M8X28)	<b>S-2</b>  x4 (M8X35)	<b>S-3</b>  x4 (M6X28)	<b>S-5</b>  x4 (M8X40)	<b>S-6</b>  x4 (M8X30)	<b>S-7</b>  x4 (M8X42)	<b>S-8</b>  x4 (M8X64)	<b>G</b>  x2	<b>H</b>  x2	<b>I</b>  x2	<b>J</b>  x4	<b>K</b>  2Tx4	<b>L</b>  1Tx4
------------------------------	------------------------------	------------------------------	------------------------------	------------------------------	------------------------------	------------------------------	--------------------	--------------------	--------------------	--------------------	----------------------	----------------------

### Assembly to Wall

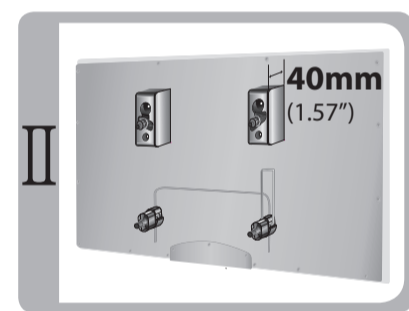
<b>A</b> 	<b>B</b>  : x4 : x4 (M5X65mm-Wood)	<b>C</b>  x2	<b>D</b>  x2	<b>E</b> 	<b>F</b> Mini wall mount x8	<b>S-4</b> x2 (M5X15)
--------------	--	--------------------	--------------------	--------------	-----------------------------	-----------------------



or

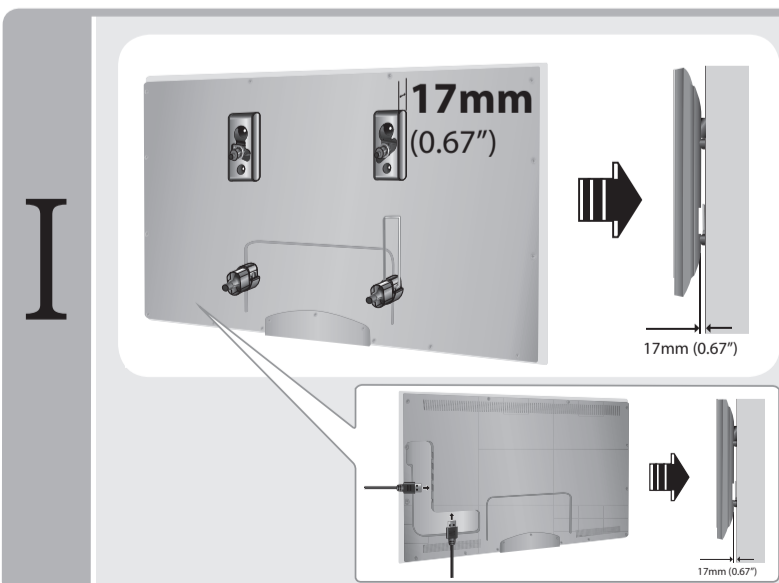


Only



Year	LED TV	PDP TV	LCD TV
2017	Q9F~Q7F MU9000~MU6400 M5500~M6550	-	-
2016	KS7000~9000 KU6400~6700 K5500~6500	-	-
2015	JS8000~9900	-	-
2014	H8000~8800 HU8700~9800 55", 65"	-	-

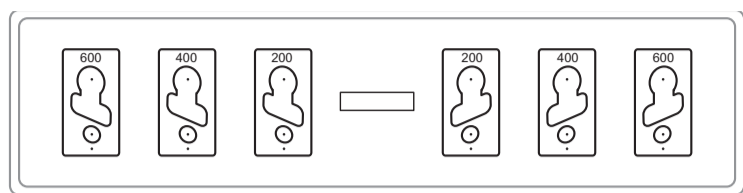
Year	LED TV	PDP TV	LCD TV
2017	MU6000~MU6300 M5000	-	-
2016	KU6000~6300 K5100~5300	-	-
2015	J4000~6590 JU5900~7800	-	-
2014	H4000~7150 HU5900~8550	H4000~5000	-



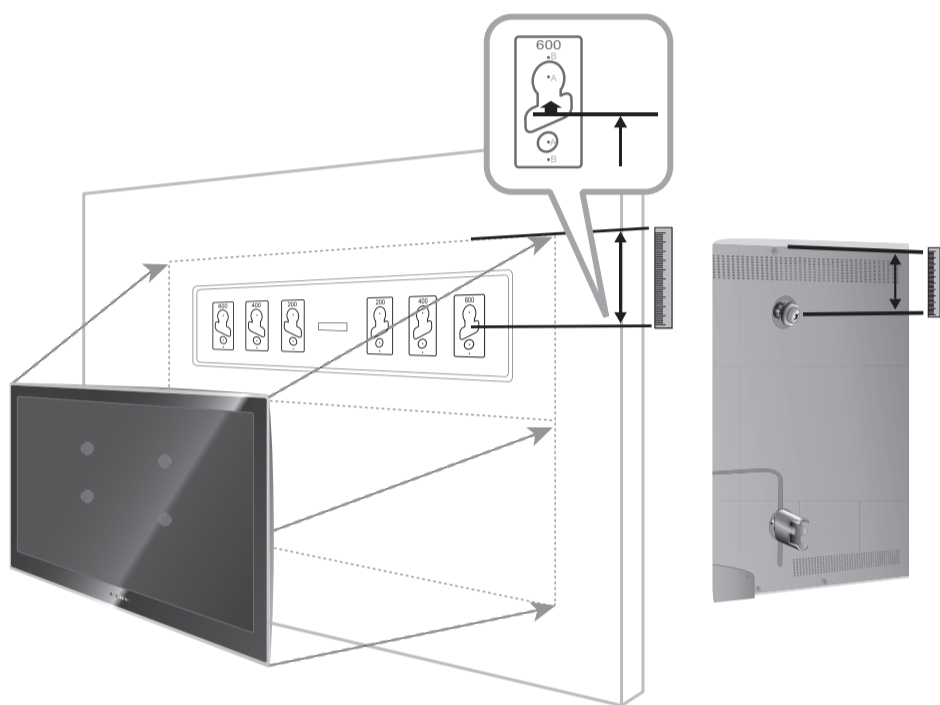
<b>A</b> 	<b>B</b>  : x4 : x4 (M5X65mm-Wood)	<b>G</b>  x2	<b>S-2</b> x4 (M8X35)
<b>I</b>  x2	<b>E</b> 	<b>S-5</b> x4 (M8X40)	<b>S-6</b> x4 (M8X30)
<b>S-8</b> x4 (M8X64)	<b>F</b> Mini wall mount x8		

# Assembly to Wall

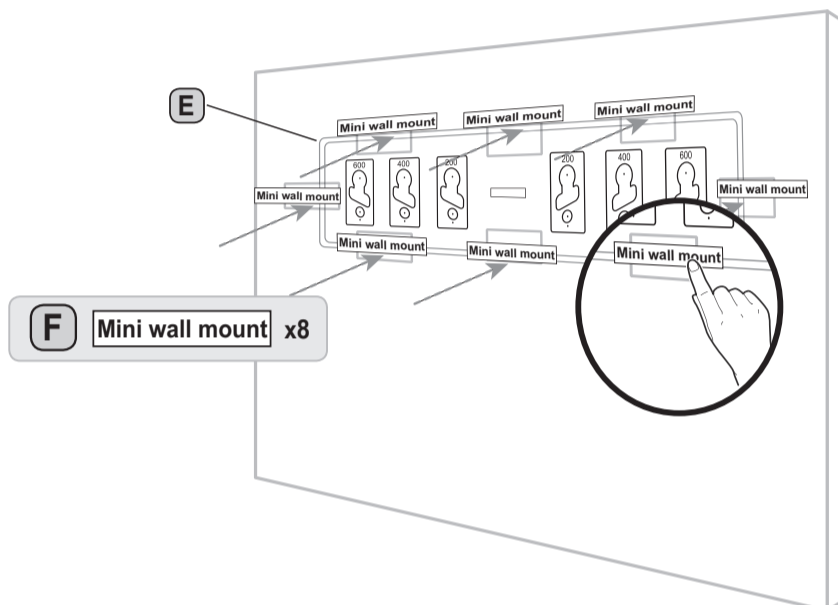
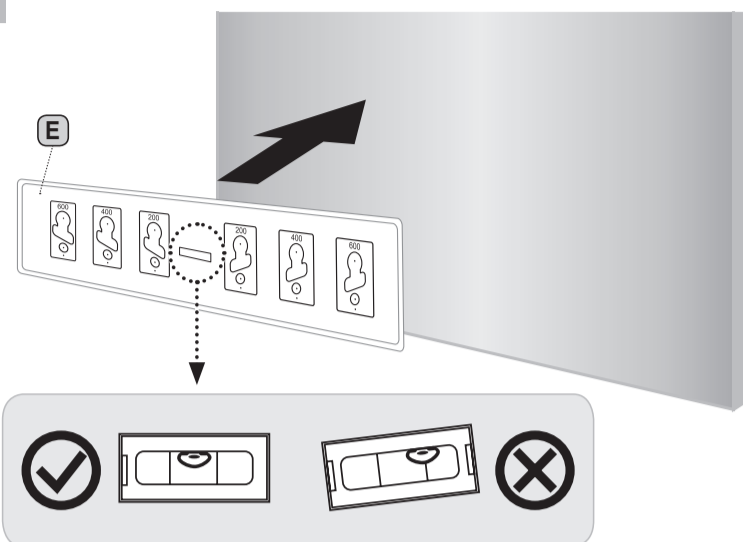
1



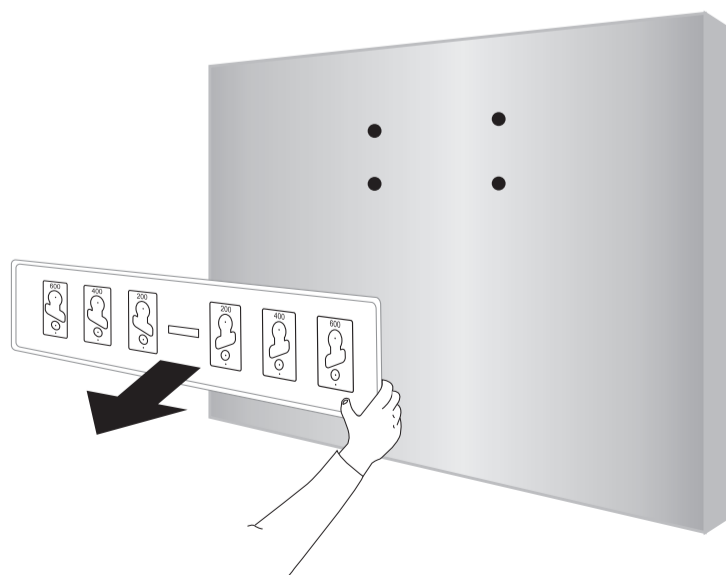
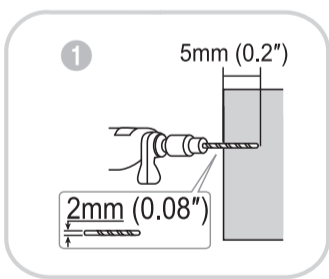
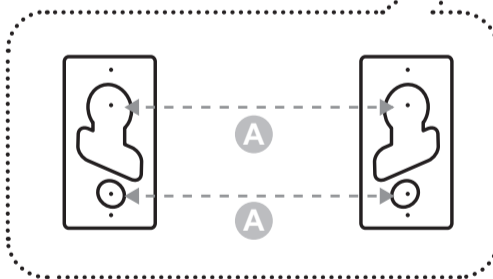
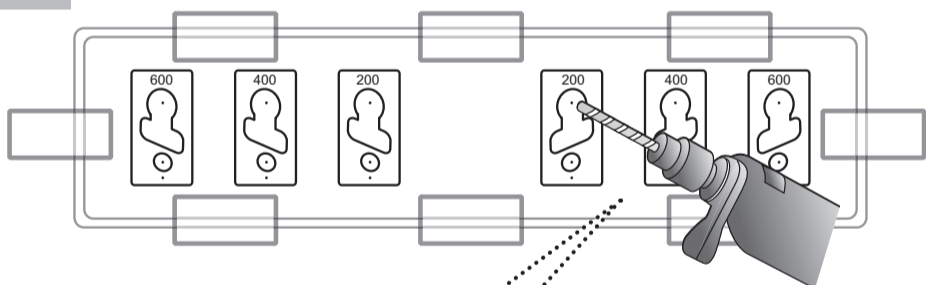
W  
 200 mm (7.88")  
 400 mm (15.75")  
 600 mm (23.62")



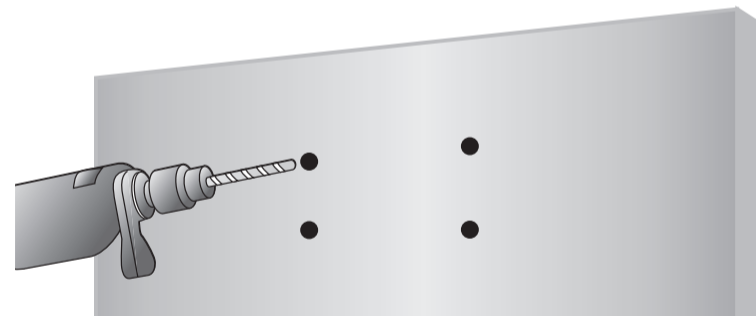
2



3

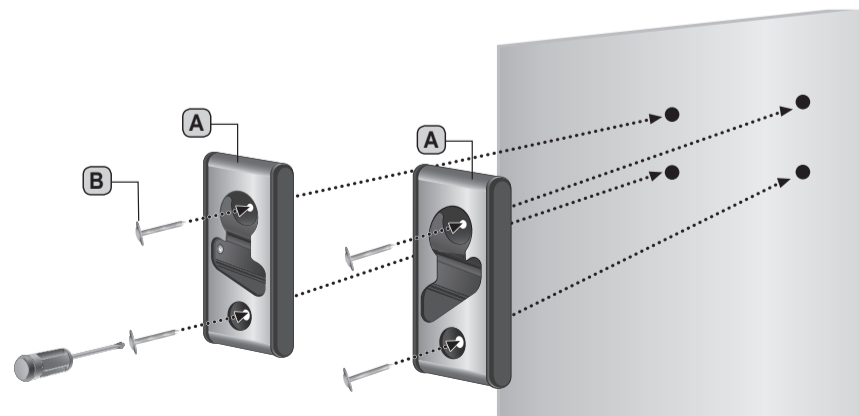


4



## Concrete, Wood

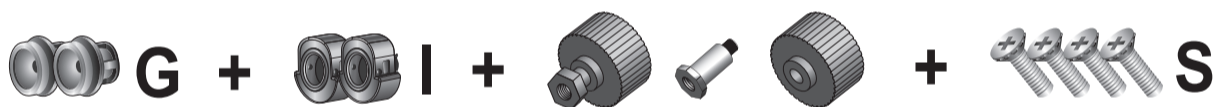
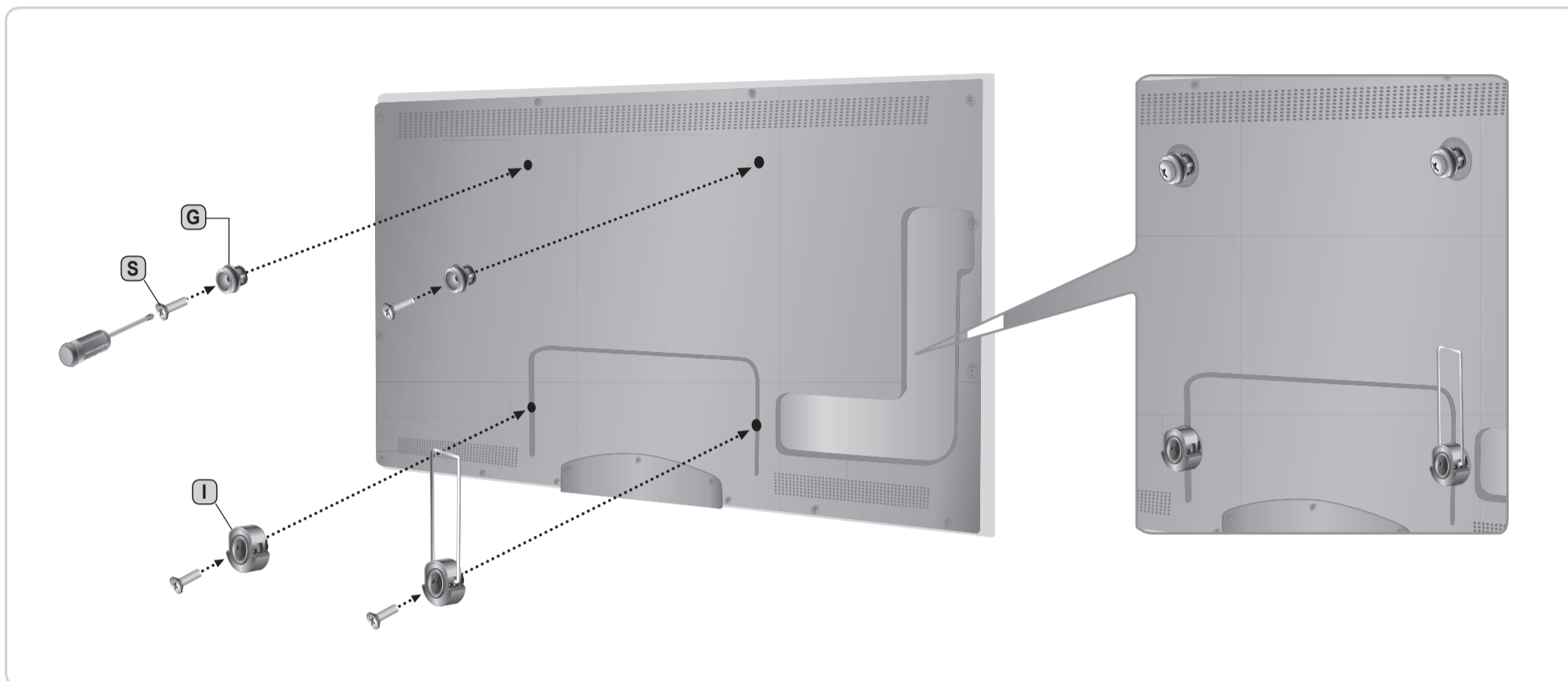
Wall	B	1	2	3
		 9mm (0.3")		
		 65mm (2.5")		



# Assembly to TV

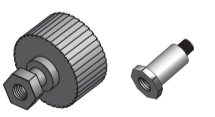


S-2	x4 (M8x35)	Q9F 65" JS8500~JS9500 48" ~ 65"
-----	------------	------------------------------------



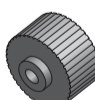
S-6 (M8x30)	■ 2017 TV MU8000 ~ MU9000 (Curved TV)
S-2 (M8x35)	■ 2017 TV MU8000 ~ MU9000 (Flat TV)

**2017 Premium Curved TV 49" ~ 65"**

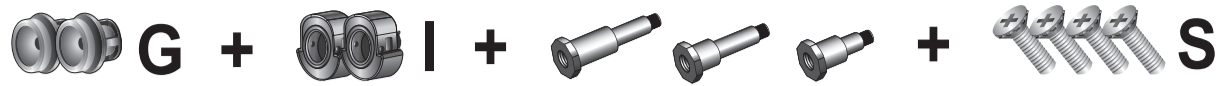


Holder-Ring  
(supplied with the TV)

**2017 Premium Flat TV 49" ~ 65"**



Holder-Ring  
(supplied with the TV)



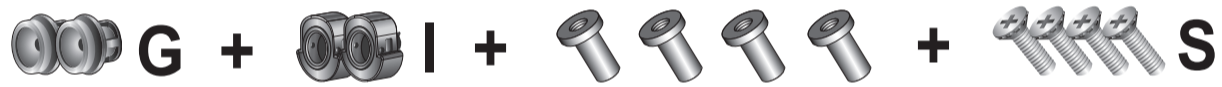
S S-6 (M8x30) ■ 2016 TV KS8000 ~ KS9000

**2016 Premium Curved TV 49" ~ 65"**

Holder ring  
(supplied with the TV)

**2016 Premium Flat TV 49" ~ 65"**

Holder ring  
(supplied with the TV)

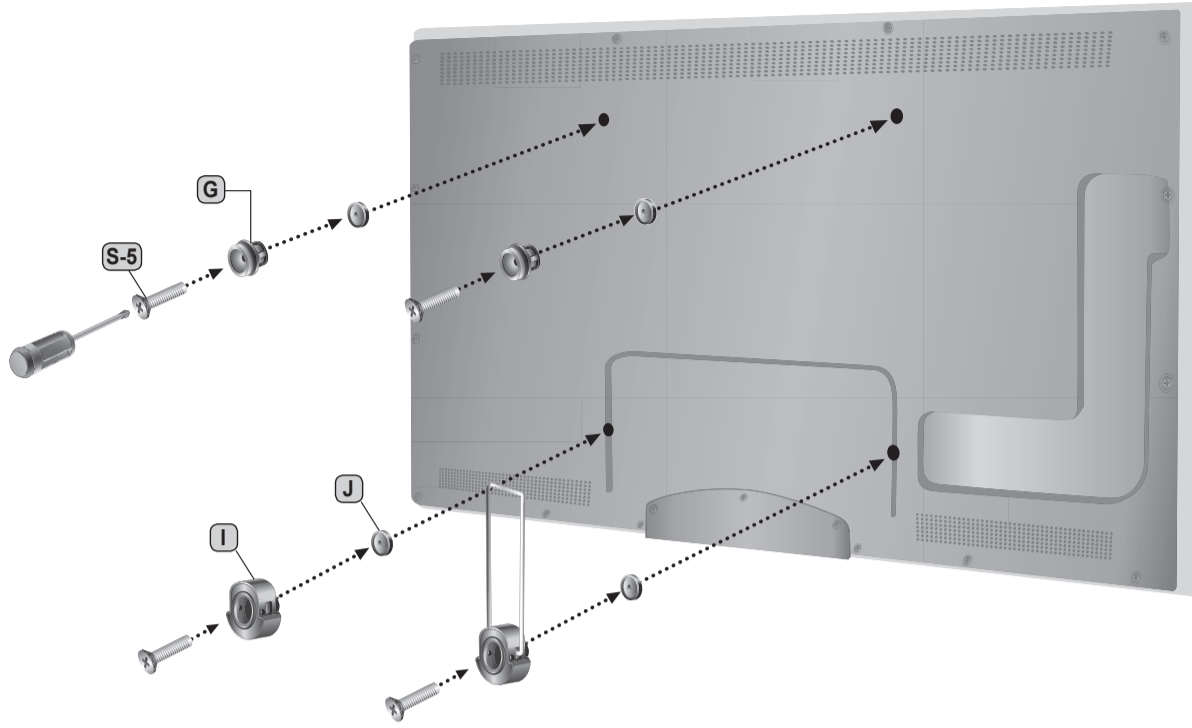


S-8 (M8x64)

- 2017 TV Q8C, Q7C, Q7F
- 2017 TV MU6400 ~ MU7500
- 2017 TV M5500 ~ M6500
- 2016 TV KS7000 ~ KS7500
- 2016 TV KU6400 ~ KU6700
- 2016 TV K5500 ~ K6500

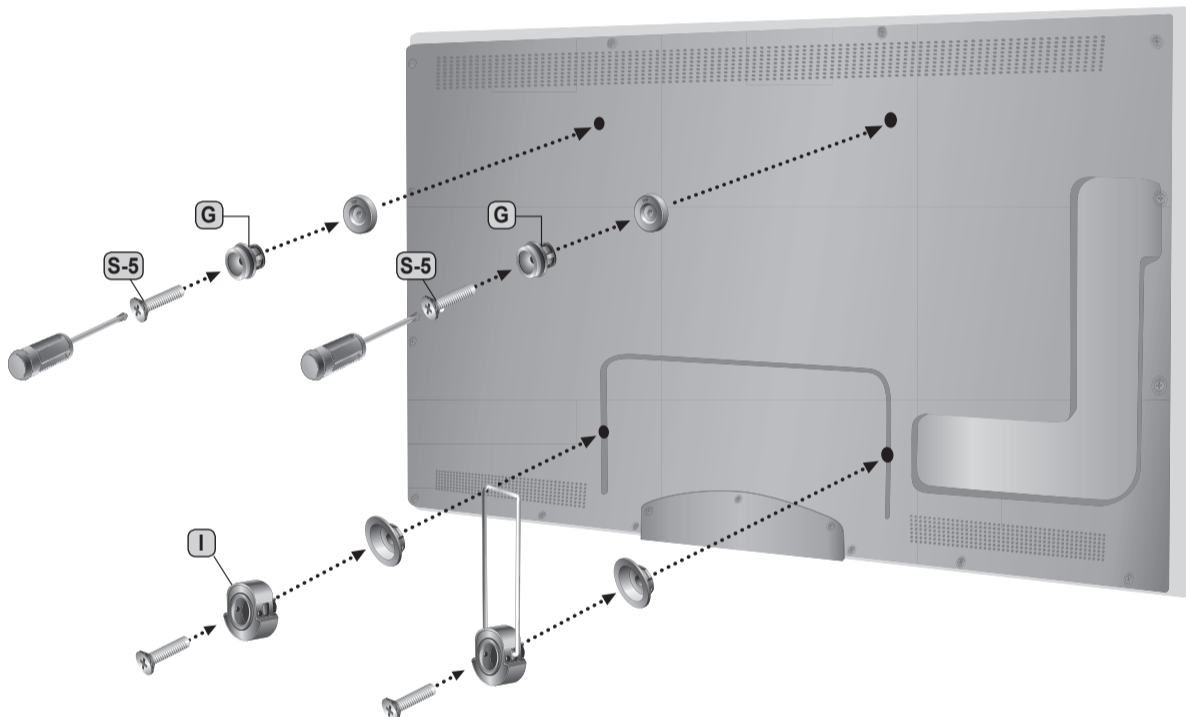
Holder ring  
(supplied with the TV)

 G + 
  I + 
  J + 
  S-5 (M8x40) 
 ※ 2013 UHD F9000 55" ~ 65"



※ 2013 UHD F9000 55" ~ 65"

 G + 
  I + 
  + 
  + 
  S-5 (M8x40) 
 ※ 2014 UHD TV HU9000 55"







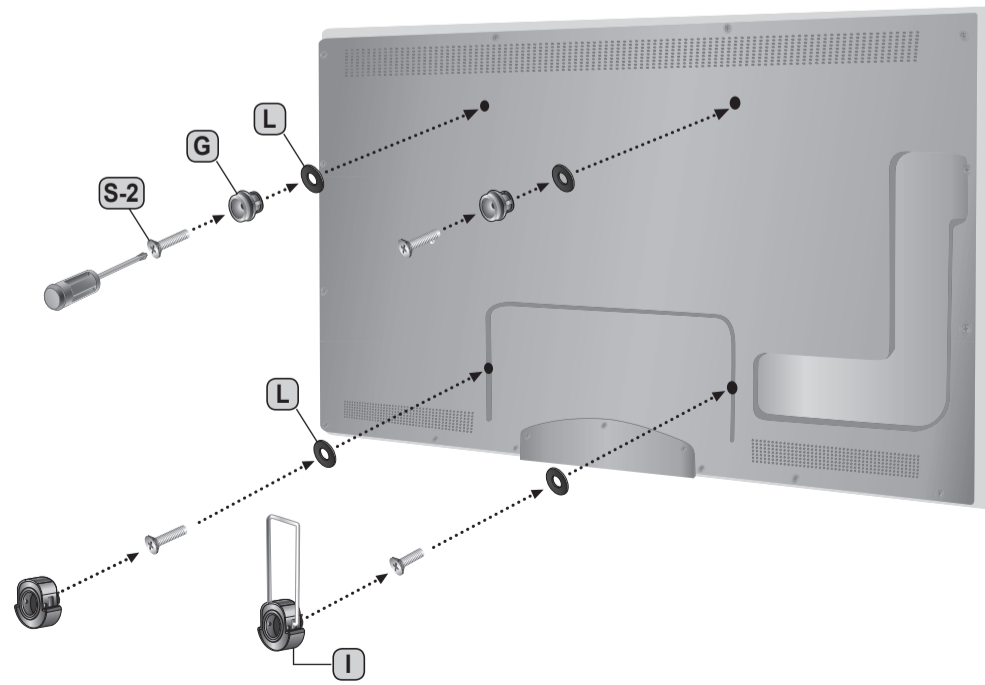
Cover Wall top  
(supplied with the TV)

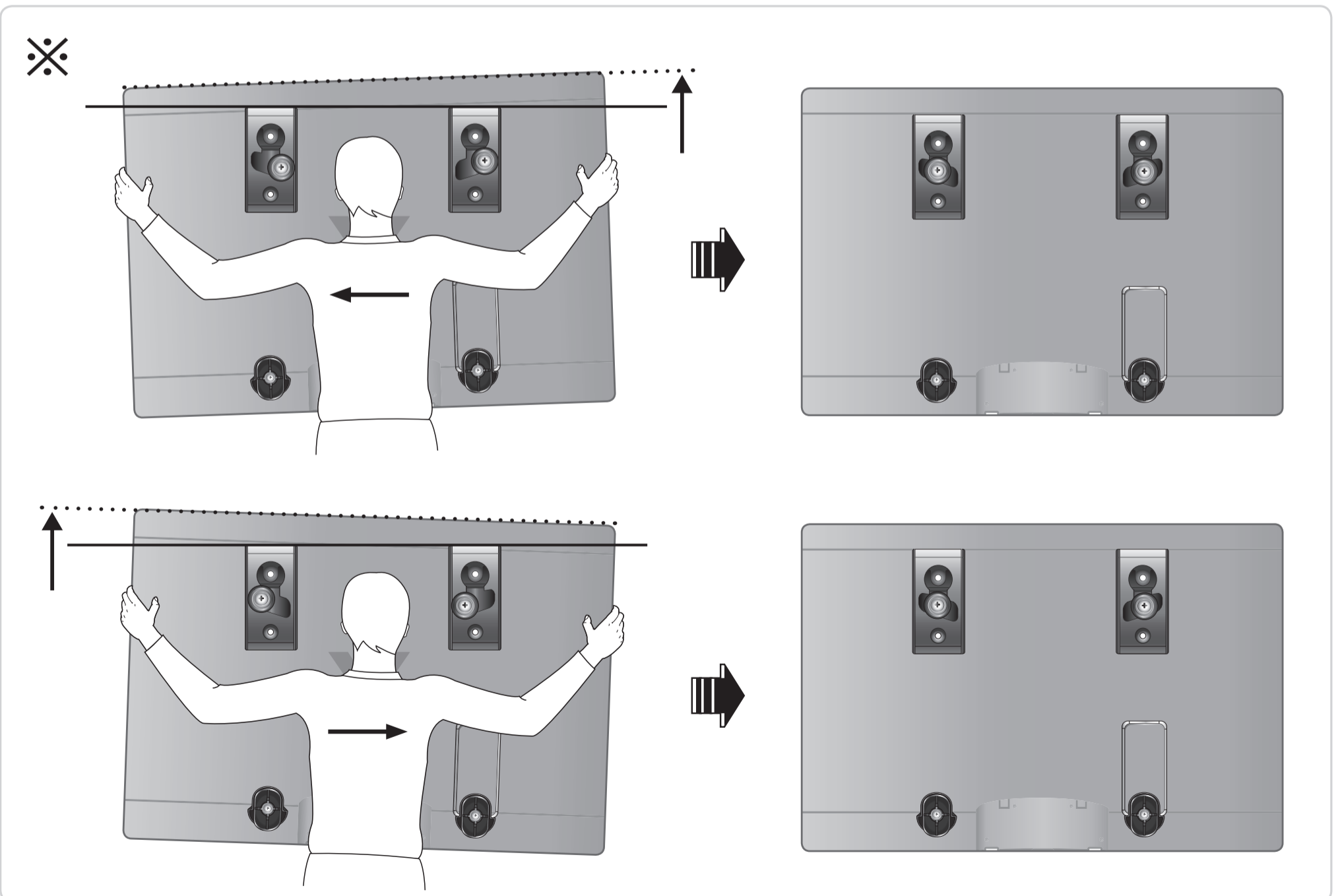
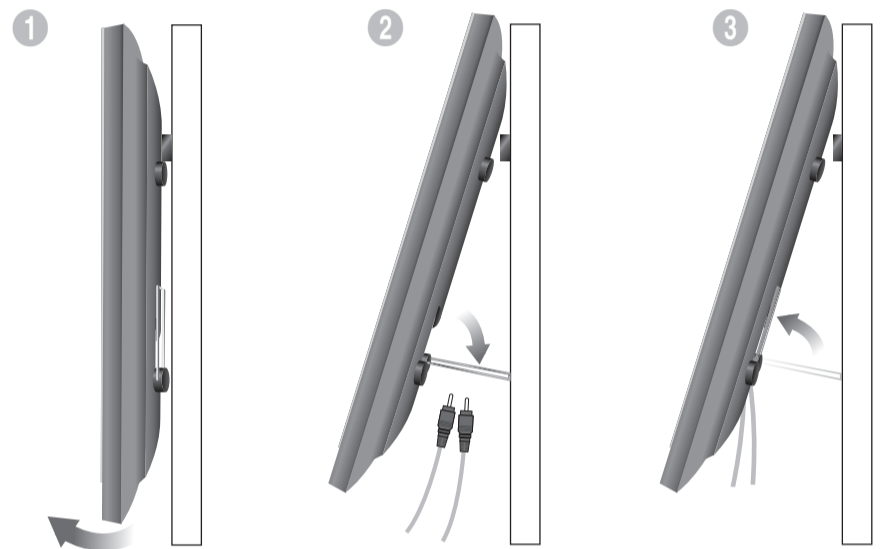
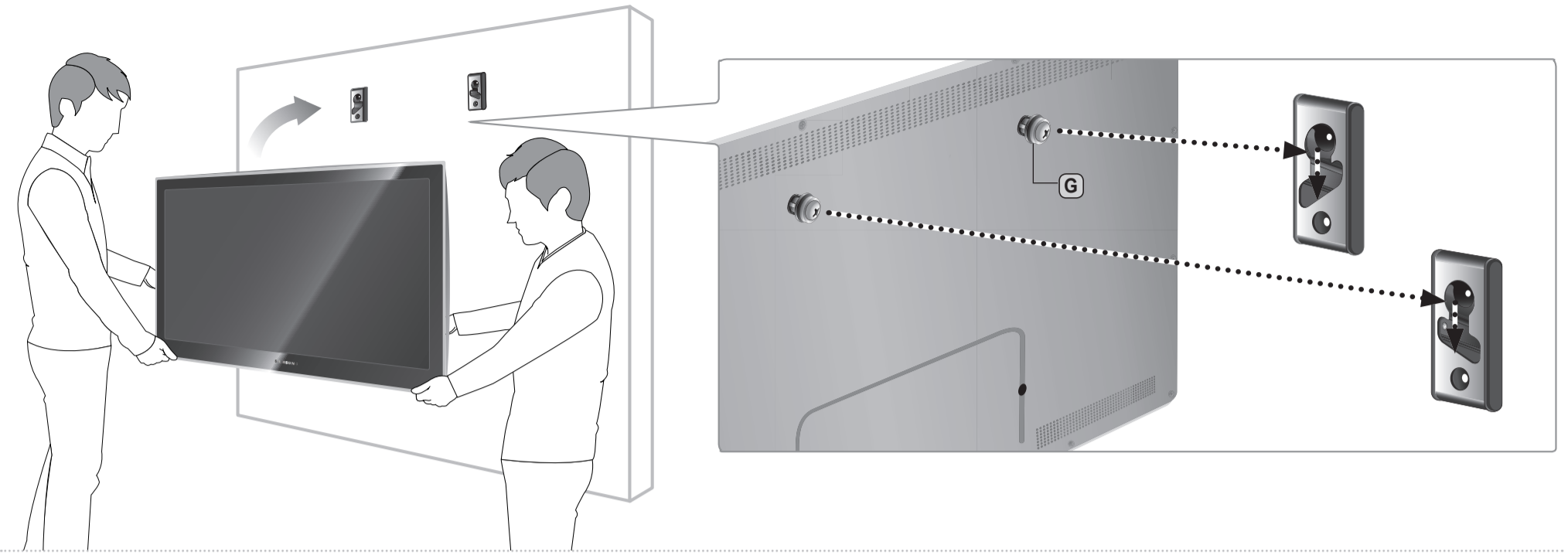


Holder ring  
(supplied with the TV)

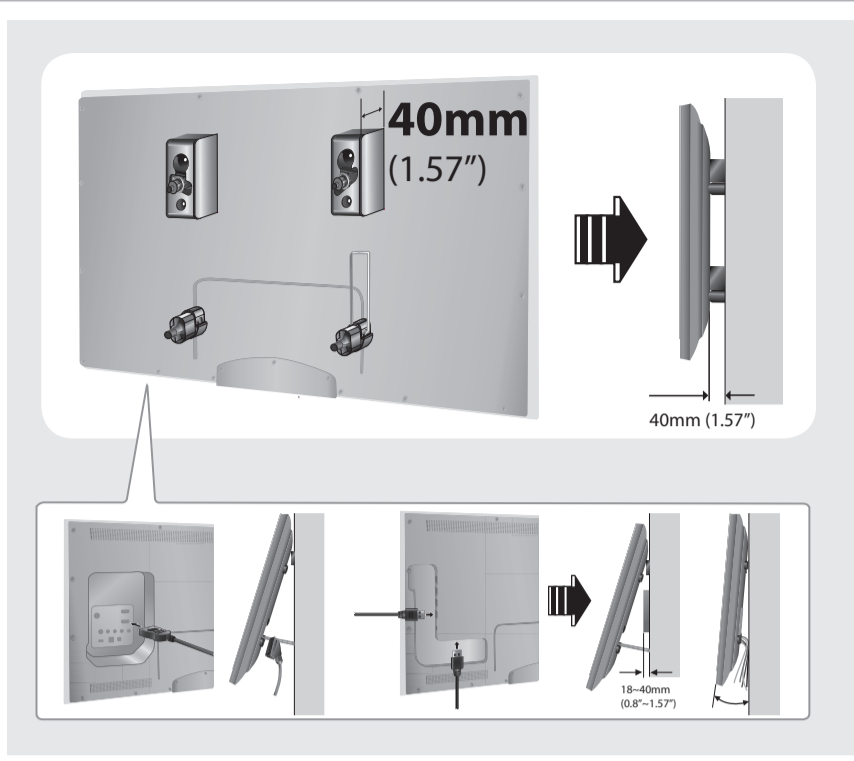
2014 UHD TV HU9000 55"

 G + 
  I + 
  L + 
  S-2 (M8x35) 
 ※ 2014 LED TV H8000  
 ※ 2014 UHD TV HU8700  
 ※ 2014 UHD TV HU9000 65"



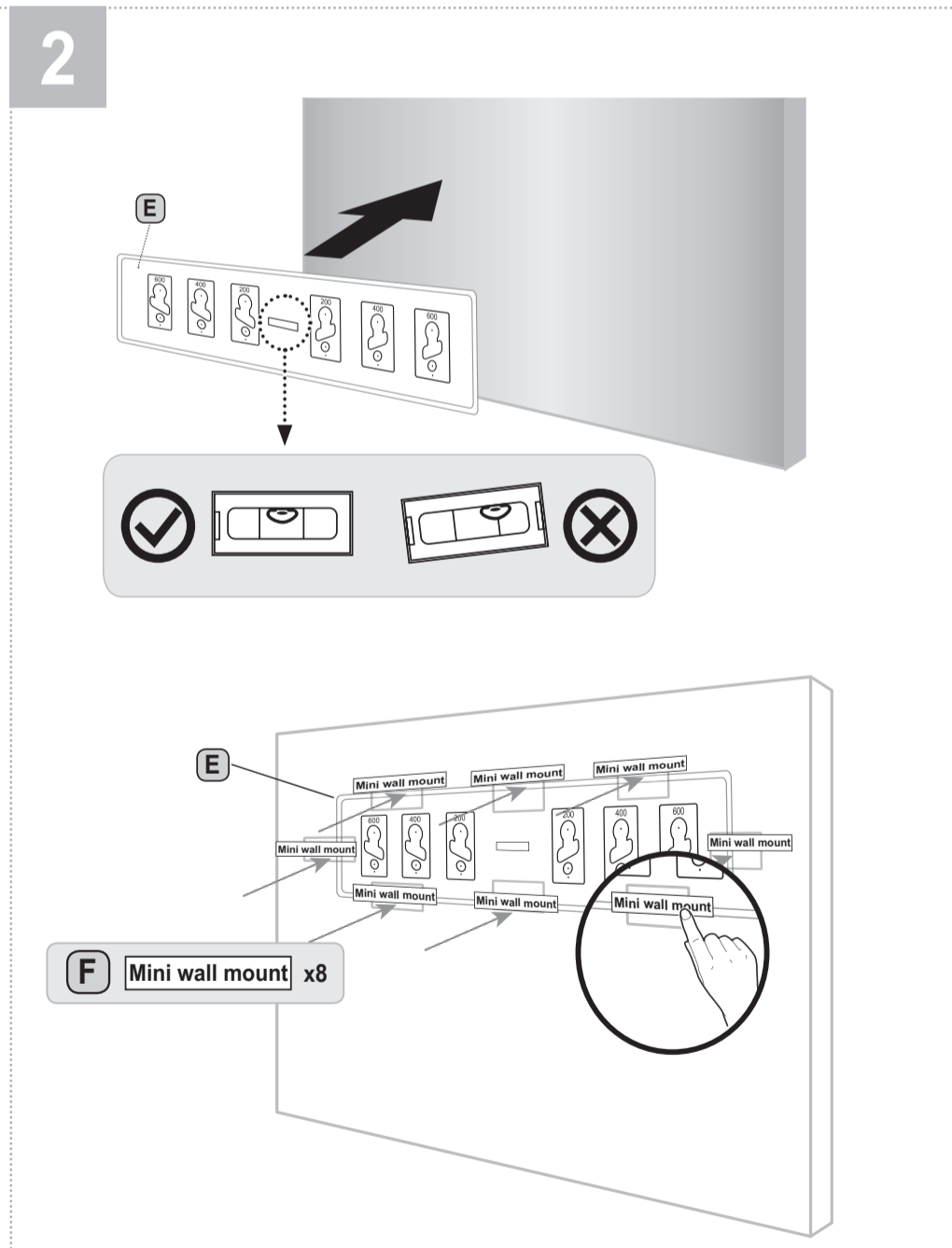
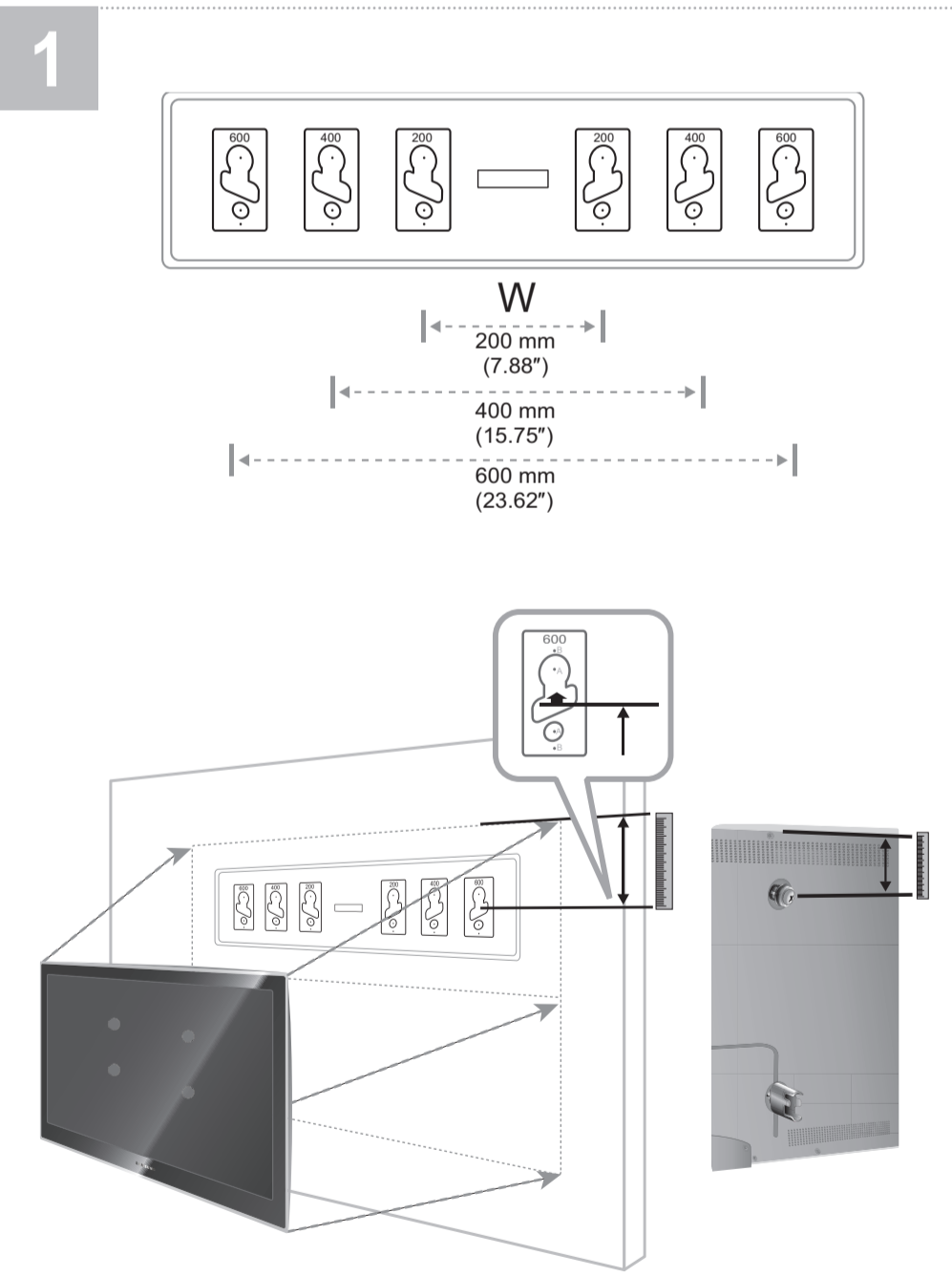


# II

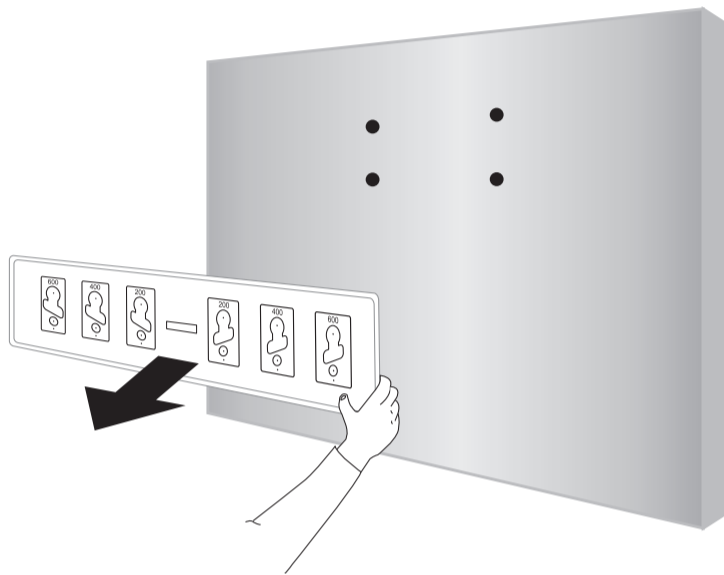
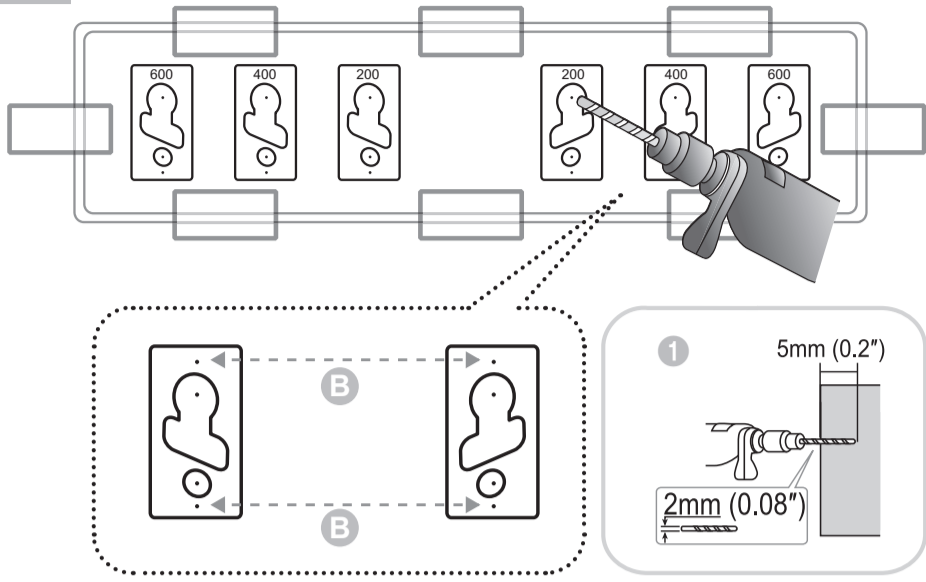


- |            |            |            |                                |            |                    |
|------------|------------|------------|--------------------------------|------------|--------------------|
| <b>A</b>   |            | <b>B</b>   | : x4<br>: x4<br>(M5X65mm-Wood) | <b>C</b>   | <br>x2             |
| <b>E</b>   |            |            |                                | <b>D</b>   | <br>x2             |
| <b>G</b>   | <br>x2     | <b>H</b>   | <br>x2                         | <b>I</b>   | <br>x2             |
| <b>J</b>   | <br>x4     | <b>K</b>   | <br>2Tx4                       | <b>L</b>   | <br>1Tx4           |
| <b>S-1</b> | x4 (M8X28) | <b>S-4</b> | x2 (M5X15)                     | <b>S-7</b> | x4 (M8X42)         |
| <b>S-2</b> | x4 (M8X35) | <b>S-5</b> | x4 (M8X40)                     | <b>S-8</b> | x4 (M8X64)         |
| <b>S-3</b> | x4 (M6X28) | <b>S-6</b> | x4 (M8X30)                     | <b>F</b>   | Mini wall mount x8 |

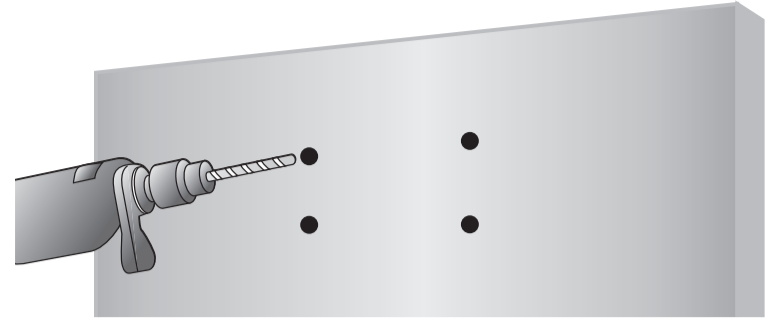
## Assembly to Wall



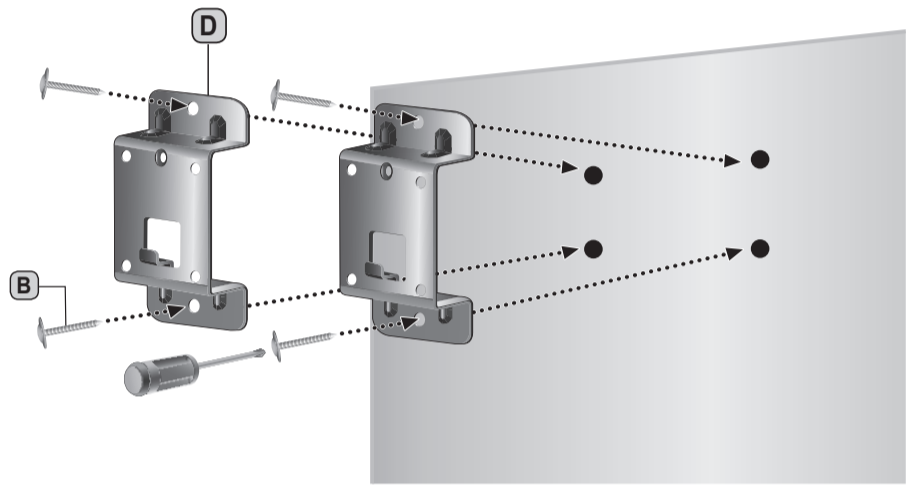
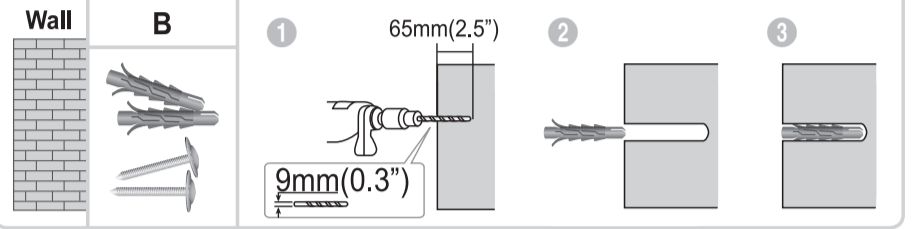
3



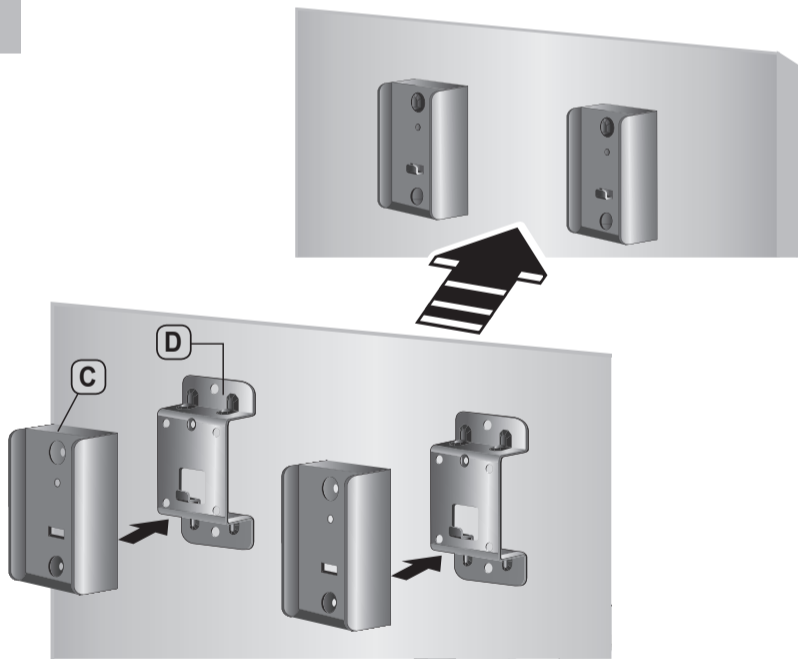
4



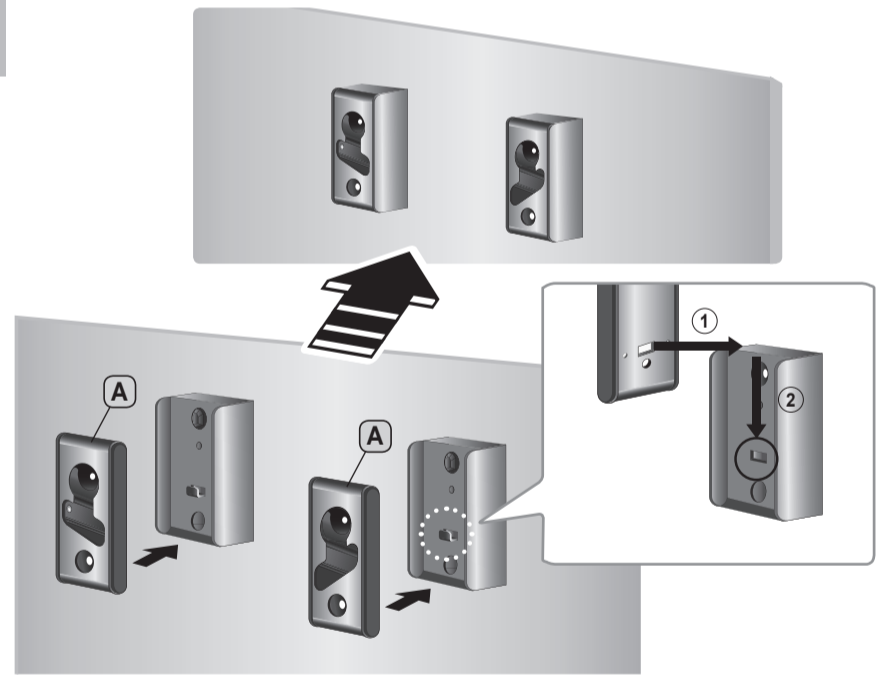
Concrete, Wood



5



6



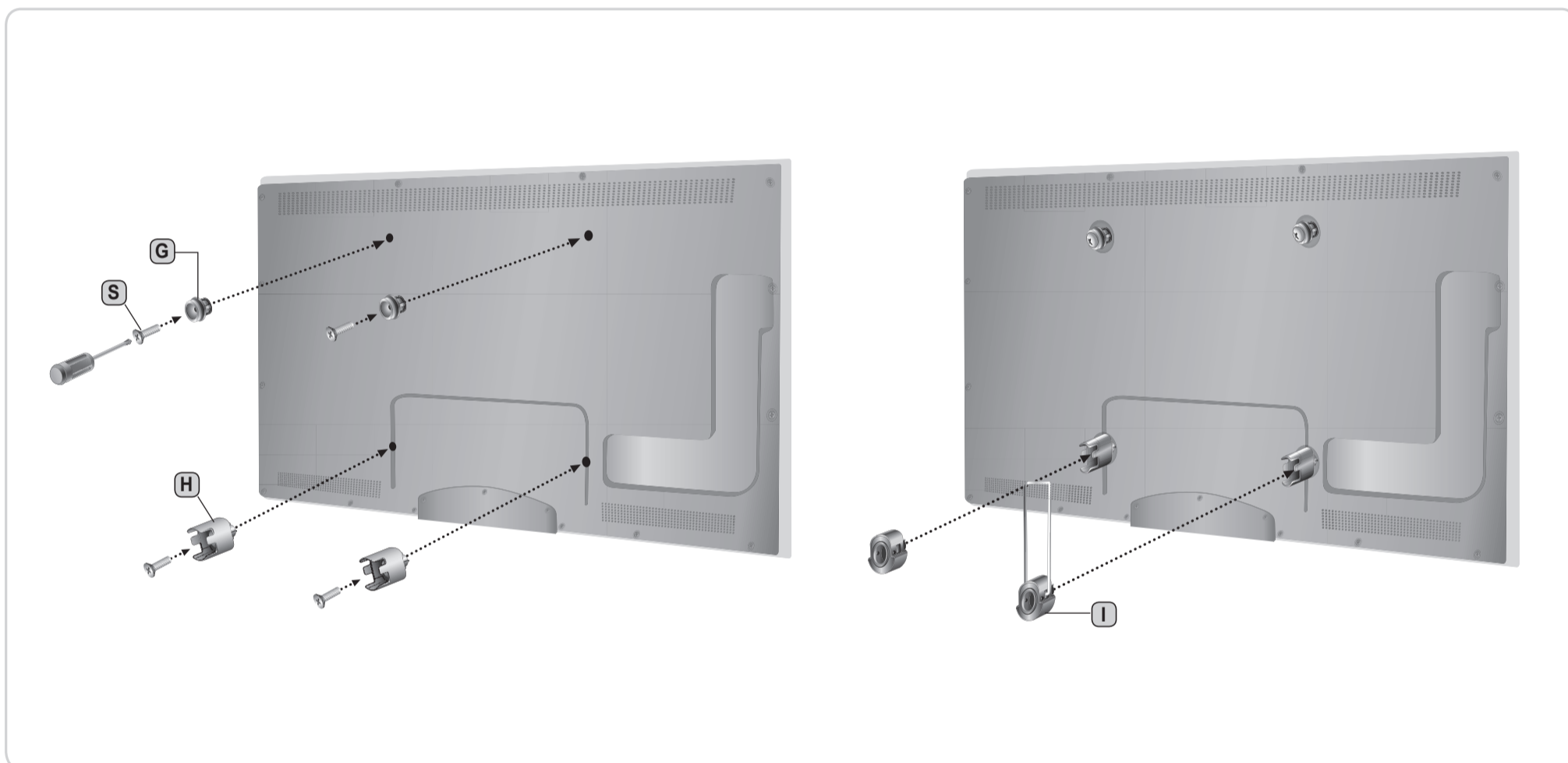
7



# Assembly to TV

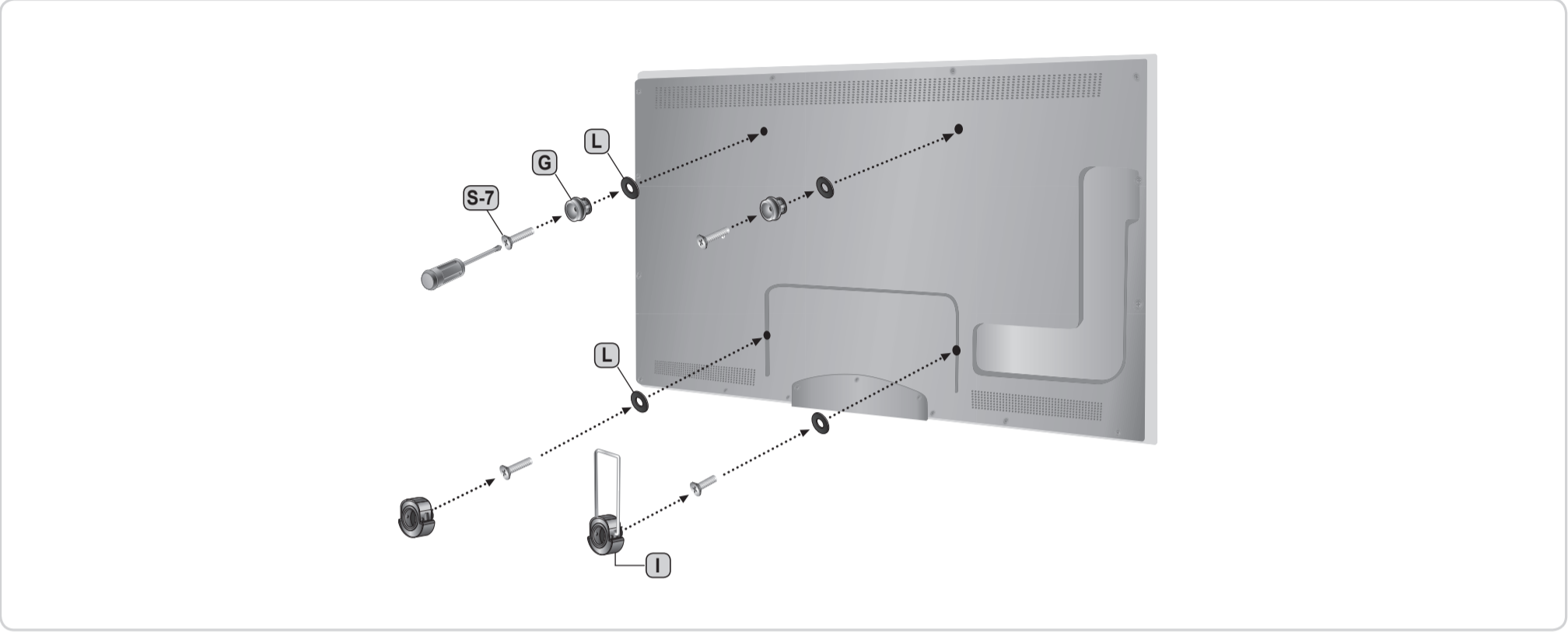


S-1 (M8x28)	<ul style="list-style-type: none"> <li>LED TV (Slim)</li> <li>PDP TV</li> </ul>	<ul style="list-style-type: none"> <li>2014 LED TV (FH series) 46" ~ 60"</li> <li>2014 LED TV (H5203, 6203) 46" ~ 65"</li> </ul>
S-2 (M8x35)	<ul style="list-style-type: none"> <li>2015 LED TV JS8500 ~ JS9500 48" ~ 65"</li> </ul>	<ul style="list-style-type: none"> <li>2017 QLED TV Q9F 65"</li> </ul>
S-3 (M6x28)	<ul style="list-style-type: none"> <li>LCD TV 32" ~ 40"</li> </ul>	<ul style="list-style-type: none"> <li>2014 LED TV (FH series) 32" ~ 40"</li> <li>2014 LED TV (H5203, 6203) 32" ~ 40"</li> </ul>
S S-5 (M8x40)	<ul style="list-style-type: none"> <li>2015 LED J4003 ~ J5590</li> <li>2015 LED J6500 ~ J6590</li> <li>2015 LED JU6600 ~ JU6790 40"</li> <li>2014 UHD TV (HU7100 ~ 7800)</li> <li>2016 LED TV KU6000</li> <li>2016 LED TV K5100 ~ K5300</li> <li>2017 LED TV M5000</li> </ul>	<ul style="list-style-type: none"> <li>2015 LED J6200~J6390 32" ~ 40"</li> <li>2015 LED JU6000 ~ JU6530</li> <li>2015 LED JU7000 ~ JU7500</li> <li>2014 LED TV (H4000 ~ 7150) 32" ~ 40"</li> <li>2016 LED TV KU6300 40"</li> <li>2017 LED TV MU6100</li> </ul>
	S-6 (M8x30)	<ul style="list-style-type: none"> <li>2014 LED TV(H6300 series) 65"</li> <li>2014 LED TV(H6400 series) 55"~ 65"</li> </ul>
S-7 (M8x42)	<ul style="list-style-type: none"> <li>2015 LED JU6600 ~ JU6790 48" ~ 65"</li> <li>2016 LED TV KU6300 49" ~ 65"</li> </ul>	<ul style="list-style-type: none"> <li>2017 LED TV MU6300</li> </ul>



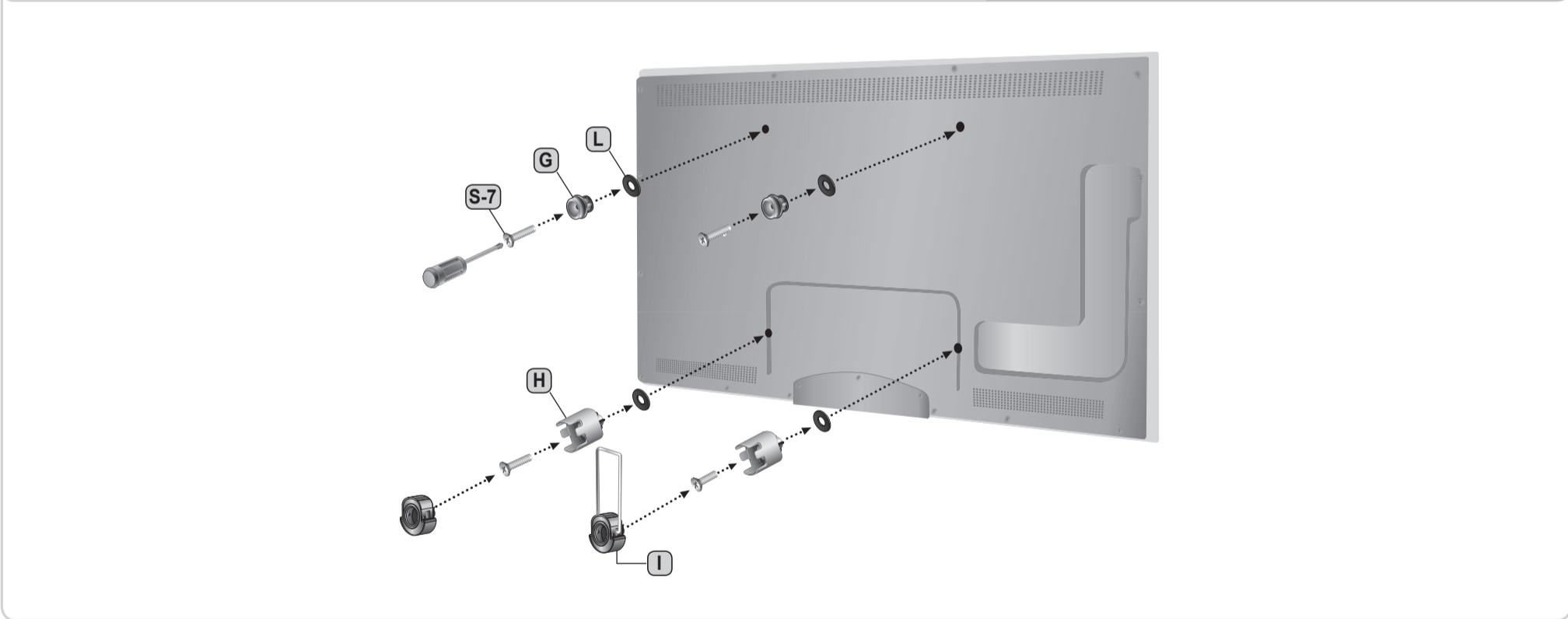
**G + H + I + L + S**




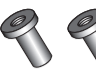
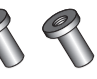



S-7	 (M8x42)	■ J6200 ~ J6390 48" ~ 60"
-----	---	---------------------------



**G + H + I + L + S-2 (M8x35)**  
**G + H + I + L + S-7 (M8x42)**

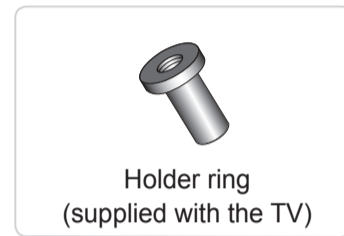
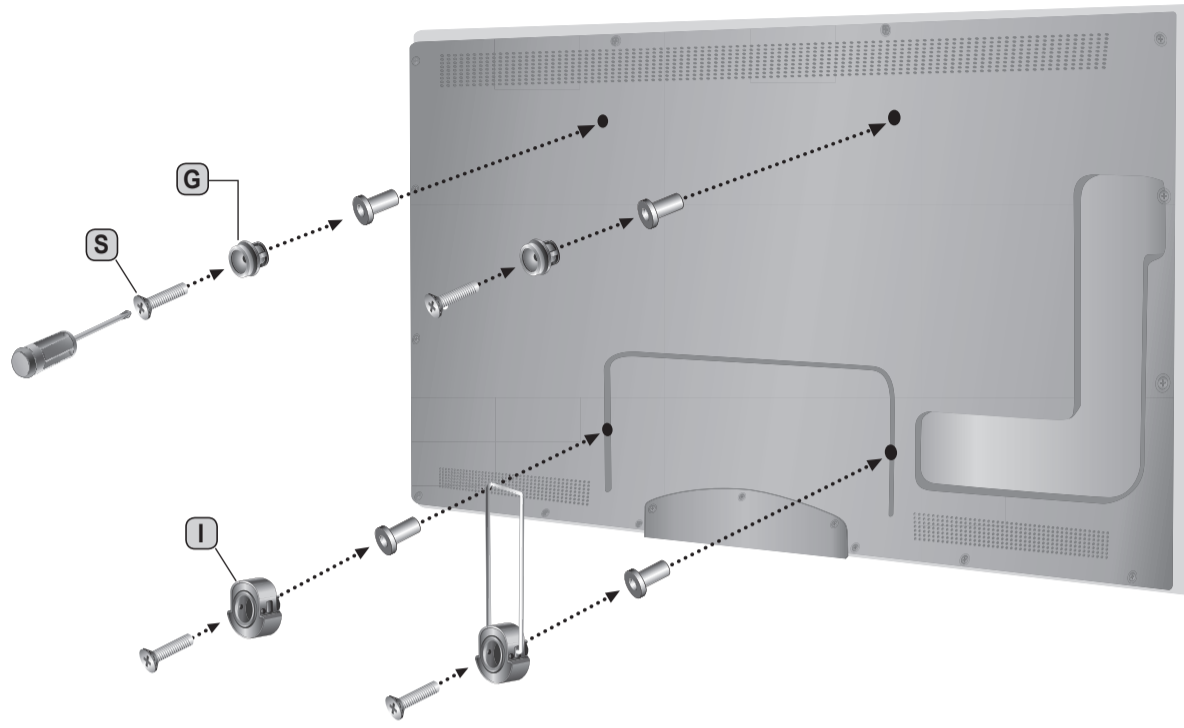
- ※ 2014 LED TV (H4500) 32"
- ※ 2014 LED TV (H5000 ~ 6300, 6410 ~ 7150) 46" ~ 60"
- ※ 2014 LED TV (H6400 series) 48" ~ 50"
- ※ 2014 LED TV H6800 ~ 6870
- ※ 2014 UHD TV (HU5900 ~ 8550) 40" ~ 65"



 **G** +  **I** +     +   **S**

S-8 (M8X64)

- 2017 TV Q8C, Q7C, Q7F
- 2017 TV MU6400~MU7500
- 2017 TV M5500~M6500
- 2016 TV KS7000 ~ KS7500
- 2016 TV KU6400 ~ KU6700
- 2016 TV K5500 ~ K6500



Holder ring  
(supplied with the TV)

